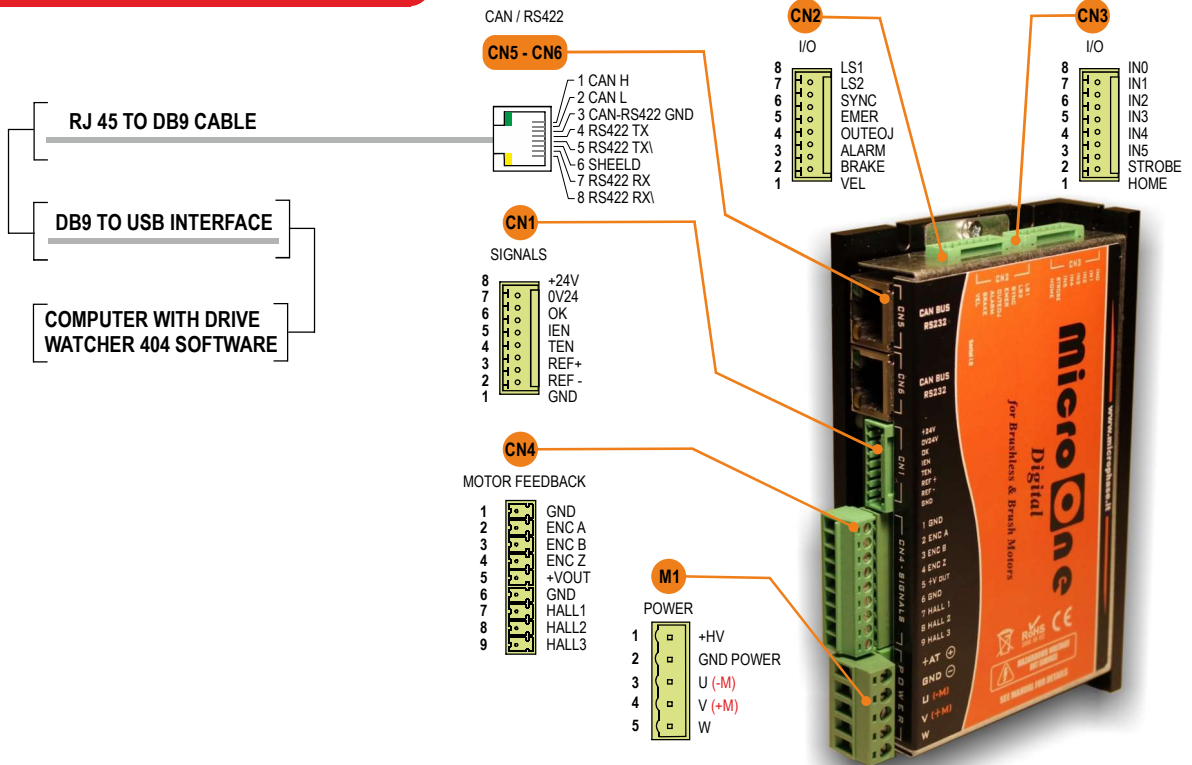
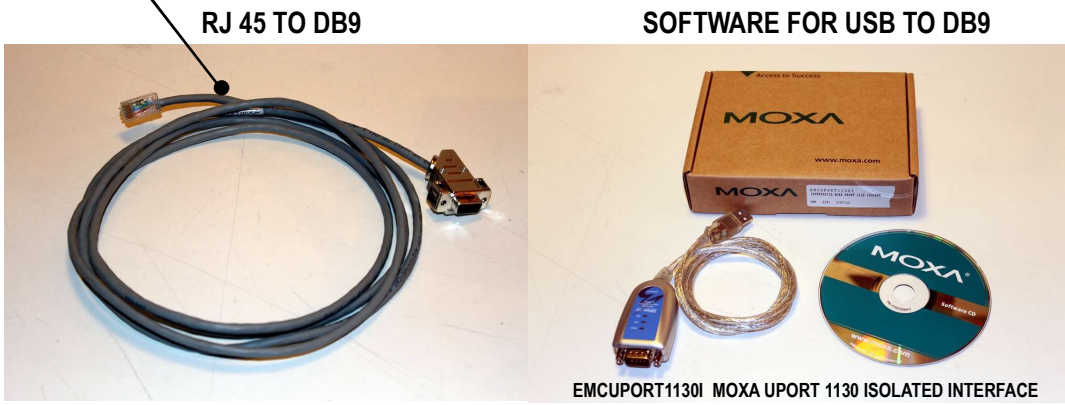
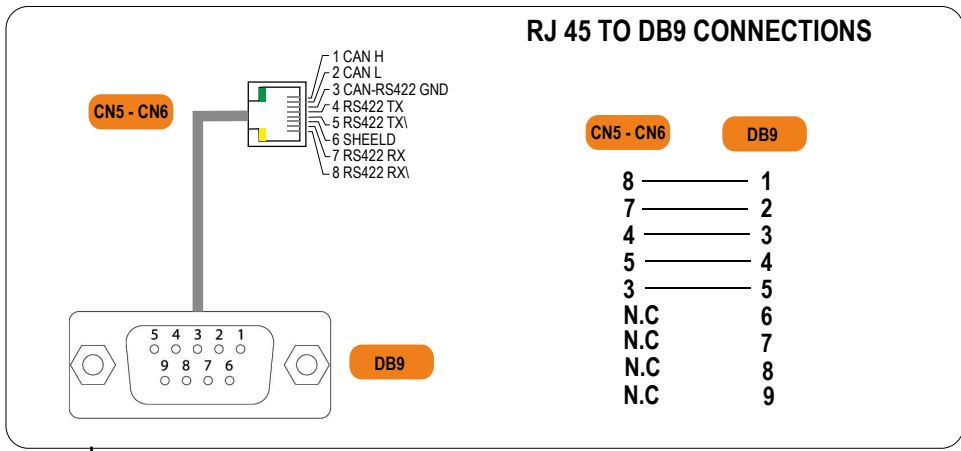


Interface description



[Datasheet Micro digital One (it) - 2 di 2]

Connections cable



Technical alteration reserved. Specification subject to change without notice. All rights reserved