

Very compact eurocard servodrives 65 - 145 - 200 Vdc power supply range for Brush servomotors. Driving motor ranges up to 9Nm, tacho generator, encoder or armature feedback.

Mini Dc

SERVO AMPLIFIER FOR BRUSH DC MOTORS

The **Mini DC** is a precision four quadrant regenerative servo drive for permanent dc Brush servomotors. Possible control methods include velocity and torque modes. There are many different velocity modes: tachogenerator, encoder and armature feedback. **Mini DC** requires only a single VDC power supply which could even be provided with unbeatable multi-axis systems, when combined with the rack system up to 7 axis, with internal power supply and dumping card.

► Mini DC advantage

- Eurocard servodrives up to 2,8W (9Nm) motors
- Small package, versatility, ease-of-use, cost-effective
- Feedback for motors with:
 - * Encoder
 - * Tachogenerator
 - * Armature

► Standard characteristic

- Four quadrant regenerative operation
- Single supply DC voltage
- 4 diagnostic Leds (State and Alarms)
- Protections for: Over/Under voltage, max. temperature reaches, Over current, Ixt motor current
- 1 Differential velocity input +/-10V
- 1 Torque mode (demand current) TPRC input
- Feedback available (series): Quadrature encoder - tachogenerator - Armature
- NPN Fault drive output
- Five Potentiometer adjustments (Speed, offset, gain, speed, derivative)
- Acceleration/deceleration ramp



► Specifications

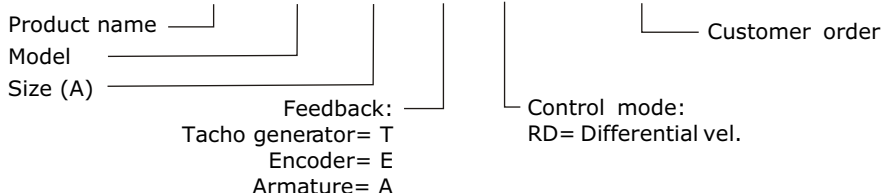
- PWM frequency 20Khz
- Operative temperature 0/+45°C
- Analog inputs range +/-10Vdc
- Current monitor +/- 8Vdc (At pk curr.)
- Auxiliary power supply +/-10Vdc @ 3mA
- Maximum encoder frequency 200Khz
- Logic level encoder inputs ≥ +2,8V/+24V
- Start signal (Input range) +9V/+30Vdc
- Current loop bandwidth 2KHz
- Velocity loop bandwidth 150Hz

MODEL	MINI DC 65	MINI DC 145	MINI DC 205
DC Voltage Supply (Vdc)	60	140	200
DC Voltage Range (Vdc)	19 - 84	39 - 184	54 - 276
Size (A)	3/6	4/8	7/14 10/20 14/28 20/40
Rated Current (A)	3	4	7 10 14 20
Peak Current (1) (A)	6	8	14 20 28 40

(1) Peak current has duration 2 sec.

Order code example:

MIDC - 65 - 10 - T - RD - ord. 901/18

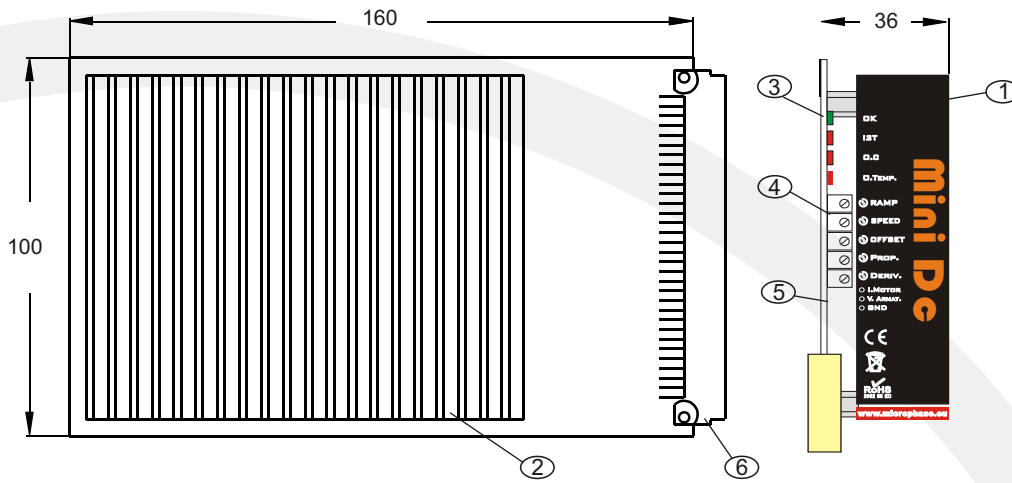


Label example:

**MIDC-60-10-T-RD
ord. 901/18**

▶ View product

Mechanical dimensions

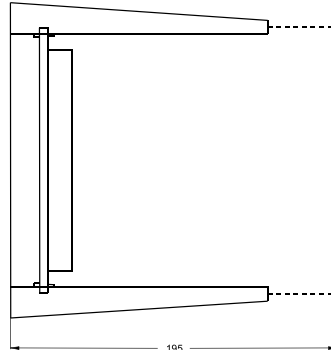
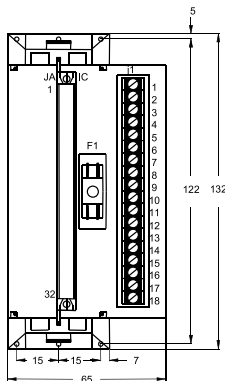


- (1) Product Label
- (2) Cooling radiator booster
- (3) Leds
- (4) Calibration Potentiometers
- (5) Test (Current monitor, and armature)
- (6) Connector type DIN 64 Pin

*Dimensions mm

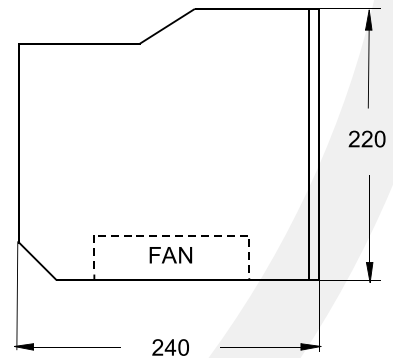
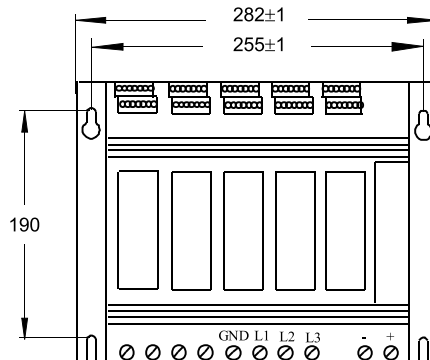
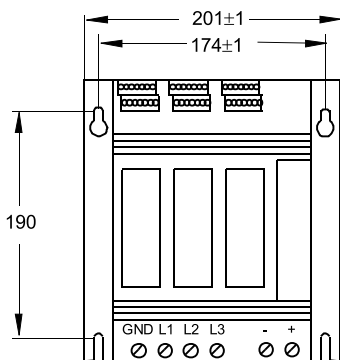
[Datasheet Mini DC (eng) - 2 of 2]

▶ Single card and rack systems



Single card with DC input power supply and supply line fuse.

Rack multi-axis from 1 to 7 slot with internal dumping resistor. Three input L1, L2, L3 with range from 44VAC to 145Vac power supply.



Technical alteration reserved. Specification subject to change without notice. All rights reserved

Accessories: • Switching power supply 220-400Vac/55Vdc • Single/3ph transformers from 100 to 7000VA • Single/3ph bridges 600V 35A • Power supply capacitors 4700uF / 10000uF • Net filters (for CE compliance)