

Power supply parts specifically for building self-made unregulated D.C. power supplies for use with Microphase servodrives (panel mount type)

Capacitors & Power Bridges

► Power bridges Characteristics

Power bridges with center hole fixing, extremely compact size, universal terminals plug-in, electrical insulated case.

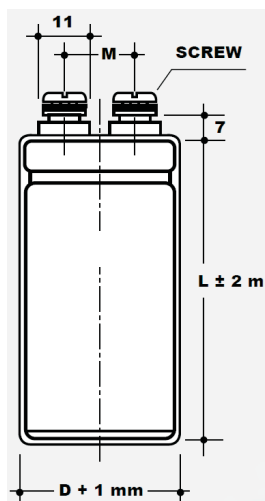
- Single (PM1) or three phase type (PM2)
- 35A @ 800/1200V



► Capacitors Characteristics

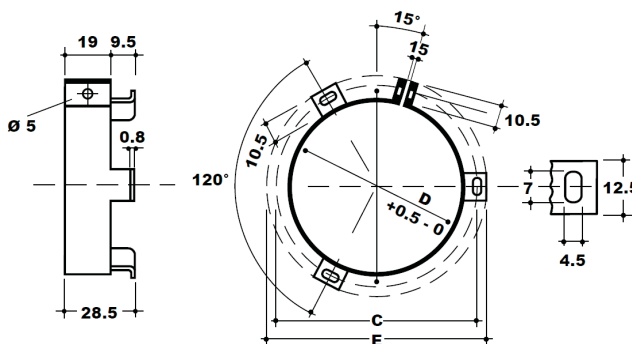
Electrolytic type, surge-proof capacitors in alluminium can with insulation sleeve. To be mounted with ring clips. Poles brought out to heavy duty screw terminals.

- Temperature range: -40°C / +105°C (Enviromental classification 40/85/56 IEC-68)
- Source voltage: +15% rated voltage
- Useful life >200.000h at 40°C



TYPE	DIMENSIONS mm	DIMENSIONS mm	
		D	L
10000uF 100V		51	105
4700uF 200V		63,5	105
5600uF 350V		75,5	105

Mechanical dimensions



TYPE	DIMENSIONS mm		
	D	C	E
Type 1	50,8	63,5	73,4
Type 2	63,5	76	86
Type 3	76	89	98,5

Capacitors with **100V** voltage for servodrives model 65 - **200V** voltage for servodrives model 145 - **300V** voltage for servodrives model 205 - **350V** voltage for servodrives model 305

[Datasheet cf_pmt (eng) - 1 of 1]

Technical alteration reserved. Specification subject to change without notice. All rights reserved